

PRINCIPAL PARTICULARS

LOA 302'-0"
 LBP - LWL 290'-0"
 BEAM 64'-0"
 DEPTH 26'-0"
 LOADLINE DRAFT 21'-1"
 DEADWEIGHT 5197 LT
 DESIGN DECK LOAD 1024 PSF (5m²/m²)
 GENERATORS (4) x 1825KW @ 1,800 RPM (WATER-COOLED), (2) AUXILIARY x 940 KW @ 1,800 RPM (WATER-COOLED)
 TOTAL KILOWATTS 9,180 KW @ 690 VAC
 MAIN PROPULSION (2) x 2,500KW @ 690 VAC @ 1,000 RPM (6,704HP TOTAL) FIXED PITCH VFD Z-DRIVE IN NOZZLES
 BOW THRUSTERS (2) x 1,180 KW @ 690 VAC @ 1,200 RPM (3,164HP TOTAL) FIXED PITCH VFD/REVERSING MOTORS
 FIRE MONITORS MAIN CRANE 150mt @ 10m, 25mt @ 32m
 STORES CRANE 13mt @ 5m
 FRC 1 x 15 PERSON, 6.18M, 250HP
 REGULATORY USCG SUB I & L /SOLAS/ABS ● A1, OFFSHORE SERVICE VESSEL ● AMS, DPS-2, ENVIRO ● ACCU, UWILD, FFI 1, ● ©, HELIDK, CRC

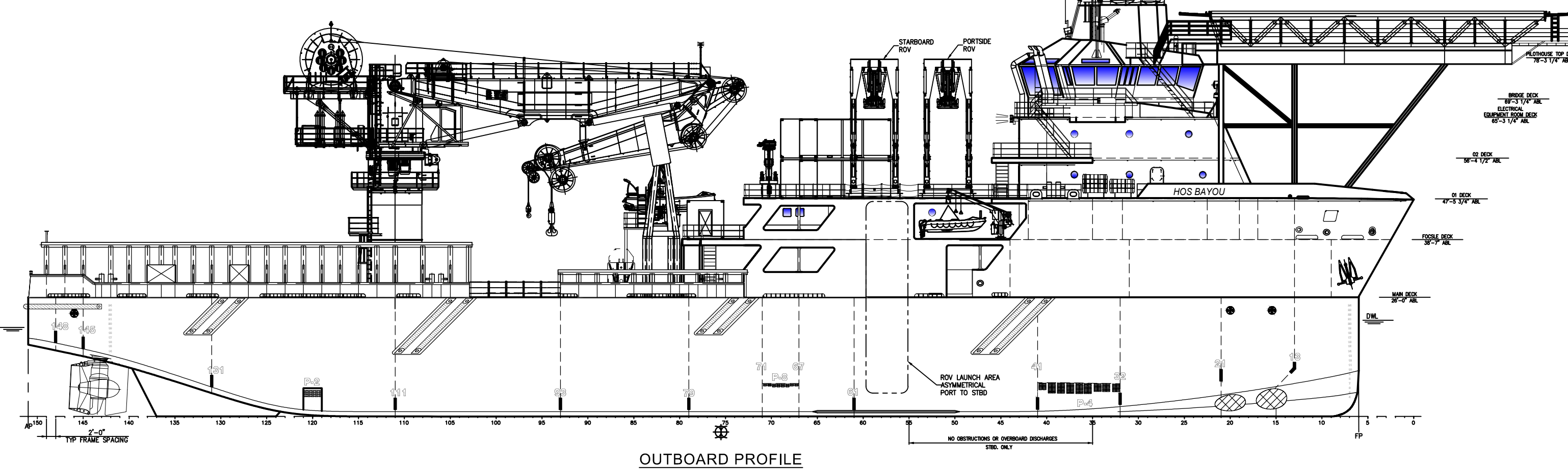
TANK CAPACITIES

WATER BALLAST 592,554 US GAL (98% FILL)
 TOTAL FUEL OIL (W/SHIPS FO) 279,936 US GAL (98% FILL)
 SHIP'S FUEL OIL 23,277 US GAL (98% FILL)
 POTABLE WATER 61,267 US GAL (98% FILL)
 LIQUID MUD 20,652 BARRELS (98% FILL)
 METHANOL 1,921 BARRELS (98% FILL)
 DRY BULK (SG = 2.4) 14,347 CU. FT.
 SEWAGE 24,869 US GAL (98% FILL)
 GREY WATER 24,869 US GAL (98% FILL)

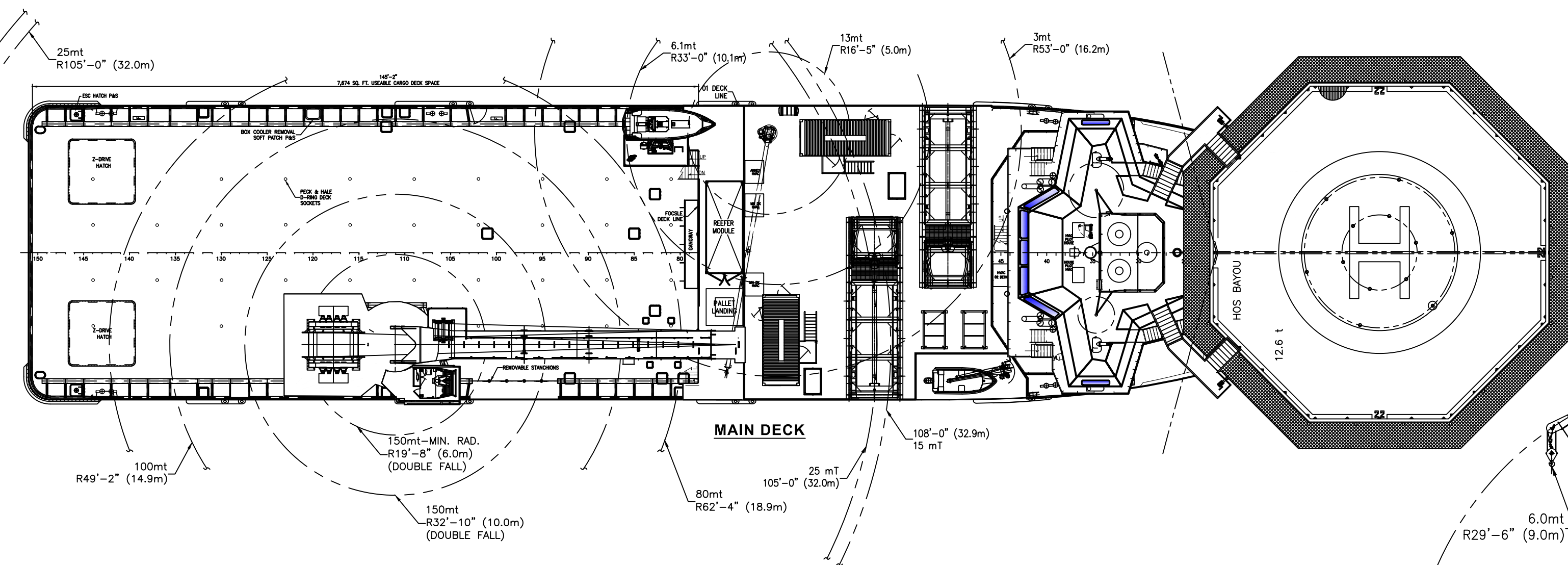
ACCOMMODATIONS SUMMARY TABLE

ACCOMMODATIONS 85
 STATEROOMS 27
 HEADS 29
 LOUNGE 2
 LAUNDRY AREA 1
 GALLEY 1
 MESS AREA 1
 SICK BAY 1
 CONF. RM 1

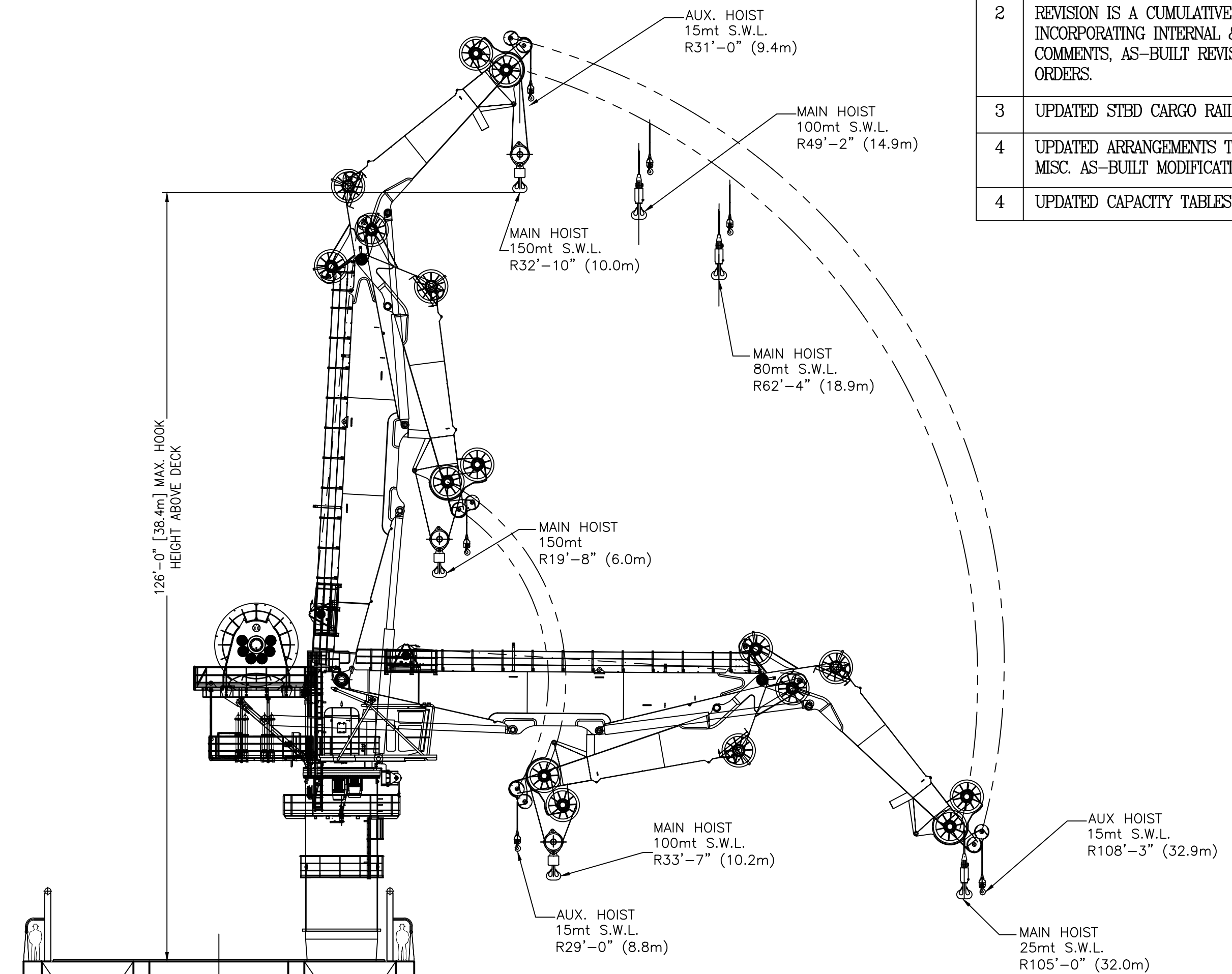
REVISIONS			
REV	DESCRIPTION	BY	DATE
1	REVISION IS A CUMULATIVE REVISION INCORPORATING INTERNAL & EXTERNAL COMMENTS, AS-BUILT REVISIONS, AND CHANGE ORDERS.	AJR	7-16-14
2	REVISION IS A CUMULATIVE REVISION INCORPORATING INTERNAL & EXTERNAL COMMENTS, AS-BUILT REVISIONS, AND CHANGE ORDERS.	AJR	8-7-14
3	UPDATED STBD CARGO RAIL AND BULWARK	MGS	3-11-16
4	UPDATED ARRANGEMENTS TO INCLUDE FRC AND MISC. AS-BUILT MODIFICATIONS.	RJW	4-18-16
4	UPDATED CAPACITY TABLES PER WIRE LENGTH	MGS	4-20-16



OUTBOARD PROFILE



MAIN DECK

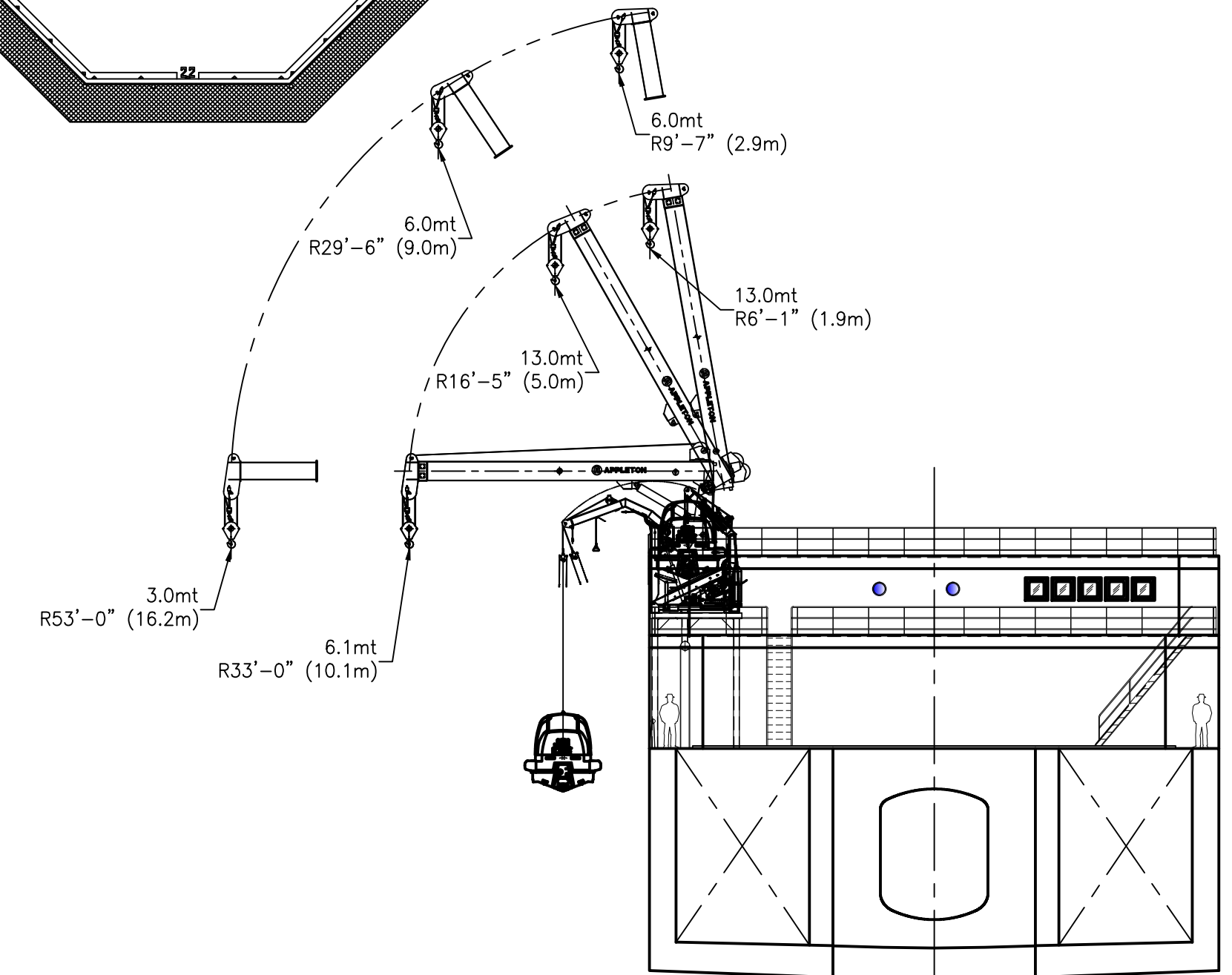


MAIN CRANE @ FR 110
SCALE: 1/16" = 1'-0"

KNUCKLE BOOM CRANE: 150mt AHC MCGREGOR
 MAIN HOIST (SINGLE FALL)
 S.W.L. (load/rad./speed) 100mt/6.0-14.9m/20m/min
 S.W.L. (load/rad./speed) 80mt/18.9m/20m/min
 S.W.L. (load/rad./speed) 25mt/32.0m/80m/min
 MAIN HOIST (DOUBLE FALL)
 S.W.L. (load/rad./speed) 150mt/6-10m/10m/min
 AUX. HOIST
 S.W.L. (load/rad./speed) 15mt/6m-32.9m/100m/min
 MINIMUM RADIUS 6.00 m
 MAXIMUM RADIUS 32.00 m
 WIRE LENGTH 2,909 m
 PERSONNEL RATING 1.5mt/32.9 m

SINGLE FALL		DOUBLE FALL	
WATER DEPTH (METERS)	LOAD (PRODUCTIVE)	WATER DEPTH (METERS)	LOAD (PRODUCTIVE)
500	91.35mt	500	132.70mt
1000	82.70mt	1000	115.40mt
1500	74.05mt	-	-
2000	65.40mt	-	-
2500	56.75mt	-	-
2909	49.80mt	-	-

BUOYANCY CONSIDERED IN LOAD
 *MAX WATER DEPTH WILL BE REDUCED BY THE NUMBER OF WRAPS
 REQUIRED TO REMAIN ON DRUM AND WIRE TRAVELING THROUGH THE SYSTEM



STORES CRANE @ FR 70
SCALE: 1/16" = 1'-0"

STORES CRANE: 13mt HYDRAULIC BOOM
 MAIN HOIST (SINGLE FALL)
 S.W.L. (load/rad./speed) 13mt/1.87-5.0m/6m/min
 S.W.L. (load/rad./speed) 4.9mt/11.0m/8.5m/min
 S.W.L. (load/rad./speed) 3mt/16.2m/8.7m/min
 MINIMUM RADIUS 1.87 m
 MAXIMUM RADIUS 16.16 m
 WIRE LENGTH 132 m
 PERSONNEL RATING 0.6mT/1.87m-16m/20m/min

HOS BAYOU MPSV

THIS DRAWING, DESIGN CONCEPT AND SPECIFICATIONS ARE THE PROPERTY OF HORNBECK OFFSHORE SERVICES AND ARE FURNISHED ON A CONFIDENTIAL BASIS WITH AN EXPRESSED UNDERSTANDING THAT THEY WILL NOT BE COPIED, IN ANY MANNER USED FOR MANUFACTURE, SOLD, TRANSFERRED, NOR USED TO THE DETRIMENT OF SAID FIRM WITHOUT WRITTEN PERMISSION.

HORNBECK OFFSHORE SERVICES

DRAWN BY: A. RHODA	302'-0" x 64'-0" x 26'-0"		
CHK'D. BY: R. WESENBERG	CRANE & LIFTING ARRANGEMENT		
APP'D. BY: P. LUBRANO	SCALE: N.T.S. DRAWING # 6.805	DATE: 10-4-2013 HULL # ESG-205	REV. 5
TASK # 5677	SHEET 1 OF 1		